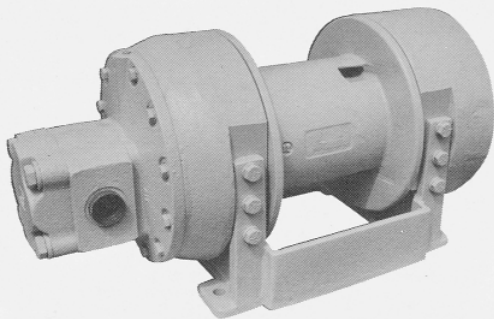


H8

PLANETARY, HYDRAULIC WINCH



MASTER

THE LOGICAL CHOICE

RAPID REVERSE

MODEL H8 PLANETARY HYDRAULIC WINCH

DESCRIPTION

The **PULLMASTER** Model H8 is a high performance, high efficiency planetary winch with a 'Rapid Reverse' feature. The reversing or lowering speed is 4.3 times faster than forward or hoisting speed.

In reverse rotation (lowering) the maximum, load can be positively controlled at a line speed equal to the hoisting speed. Only loads which are reduced by a ratio of 4.3 of the maximum, winch capacity should be lowered at maximum reversing speed.

The **PULLMASTER** Model H8 planetary winch is powered by a hydraulic gear motor and the required Reduction of 34:1 (in forward rotation) is established by two planetary reduction stages. In forward rotation (hoisting) the hydraulic motor drives direct into the planetary reductions without affecting the brake assembly. When forward rotation is stopped, an over-running clutch, installed between the brake assembly and the motor shaft, will lock and the brake will hold the load. The multi-disc brake is spring applied-pressure released and has static and dynamic function. When the hydraulic motor is powered for reverse rotation the primary planet reduction is locked out, resulting in the fast reversing speed. When the control is returned to neutral position the brake applies automatically. A counter-balance or brake valve is not required for dynamic braking.

All moving parts of the **PULLMASTER** Model H8 planetary winch are totally enclosed and run in an oil bath, assuring long, trouble-free service with a minimum requirement of maintenance.

DRUM SIZES: Different drum sizes are available to provide for larger cable storage.

REDUCTION RATIOS: The performance can be altered by different reduction ratios.

HYDRAULIC MOTORS: Hydraulic piston motors can be adapted for high pressure hydraulic systems.

EXTERNAL BRAKE RELEASE: This option offers the facility of an independent brake release.

For further optional requirements contact the factory.

OPTIONS

PERFORMANCE

- Based on a hydraulic volume of 37 (U.S.) gpm (140 l/min) at 2000 psi (138 bar) hydraulic pressure.
- Drum rpm at max. oil volume = 59 rpm in forward rotation and 255 rpm in reverse rotation.
- Drum torque at maximum pressure = 31875 lb. in. (3601 Nm).

MODEL NUMBER	BARE DRUM			MEAN DRUM			FULL DRUM		
	LINE PULL	LINE SPEED		LINE PULL	LINE SPEED		LINE PULL	LINE SPEED	
		FORWARD	REVERSE		FORWARD	REVERSE		FORWARD	REVERSE
H8-3-30-1	8500 lb	116 fpm	502 fpm	7157 lb	142 fpm	617 fpm	5814 lb	169 fpm	734 fpm
	37.8 kN	35 m/min	153 m/min	31.8 kN	43 m/min	188 m/min	25.9 kN	51 m/min	224 m/min

- Optional drum sizes and reduction ratios may change the performance.

- The volumetric requirements for the **PULLMASTER** Model H8 planetary winch are recommended maximums and should not be exceeded. When the winch is installed in existing hydraulic circuits with a lesser oil volume and/or lower pressure, the performance will change accordingly. Performance graphs for line speed vs. oil volume and line pull vs. oil pressure are available on request.

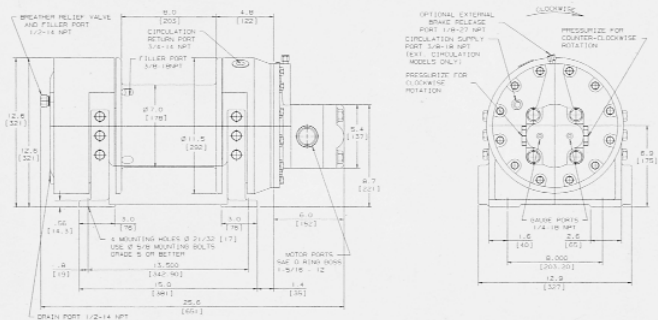
CABLE STORAGE

CABLE STORAGE CAPACITY FOR WIRE ROPE

MODEL NUMBER	DRUM SIZE			WIRE ROPE DIAMETERS*						
	BARREL	FLANGE	LENGTH	1/8 in	3/16 in	1/4 in	5/16 in	3/8 in	7/16 in	1/2 in
H8-3-30-1	7 in	11.50 in	8 in	2115 ft	959 ft	532 ft	359 ft	227 ft	166 ft	152 ft
	178 mm	292 mm	203 mm	645 m	292 m	162 m	109 m	69 m	51 m	46 m

The cable anchor of the **PULLMASTER** Model H8 planetary winch is not designed to hold the rated maximum load. The cable drum requires 3 - 4 wraps of wire rope for security. Contact the factory for cable drums with a larger cable storage capacity.

DIMENSIONS



PULLMASTER planetary winches are covered by a liberal warranty. Parts and repair service are available from authorized **PULLMASTER** distributors throughout Canada, the United States and most overseas areas.

IMPORTANT:

PULLMASTER planetary winches are neither designed nor intended for installation used in lifting or moving of personnel.

PULLMASTER planetary winches are available for different lifting capacities and also with equal speed in both directions.

DISTRIBUTOR

For more information write to:

PULLMASTER WINCH CORPORATION

ISO 9001 Registered Firm # 96-381

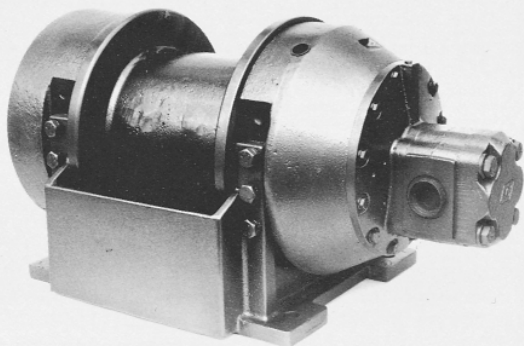
8247 - 130th STREET, SURREY, B.C. CANADA V3W 7X4

TELEPHONE: (604) 594-4444 • FAX: (604) 591-7332

http://www.pullmaster.com • E-mail: info@pullmaster.com

H12

PLANETARY, HYDRAULIC WINCH



RAPID REVERSE

pull

MASTER

THE LOGICAL CHOICE

MODEL H12 PLANETARY HYDRAULIC WINCH

DESCRIPTION

The **PULLMASTER** Model H12 is a high performance, high efficiency planetary winch with a "Rapid Reverse" feature. The reversing or lowering line speed is 4.3 times faster than forward or hoisting speed. In reverse rotation (lowering) the maximum load can be positively controlled at a line speed equal to the hoisting line speed. When lowering loads at maximum reversing speed, the load must be reduced by a ratio of 4.3 of the winch maximum capacity.

The **PULLMASTER** Model H12 planetary winch is powered by a hydraulic gear motor and the required reduction ratio of 41:1 (Forward Rotation) is established by two planetary reduction stages. In forward rotation (hoisting) the hydraulic motor drives direct into the planetary reductions without affecting the brake assembly. When forward rotation is stopped, an over-running clutch, installed between the brake assembly and the motor drive shaft will lock and the brake hold the load safely. The multi-disc brake is spring applied - pressure released and has static and dynamic function. When the hydraulic motor is powered for reverse rotation (lowering) the brake is released and is then modulated for the desired lowering speed by a single control lever. During reverse rotation the primary planet reduction is locked out, resulting in the fast reversing speed.

A counter-balance valve or brake valve is not required for dynamic braking.

All moving parts of the **PULLMASTER** Model H12 planetary winch are totally enclosed and run in an oil bath, assuring a long, trouble free service with minimum requirement for maintenance.

OPTIONS

DRUM SIZES: A wide range of drum sizes is available to provide for larger cable storage capacities.

RATCHET & PAWL: For a positive lock of the cable drum a ratchet and pawl assembly can be supplied as an integral part of the winch.

DRUM GROOVING: When required, the Model H12 can be supplied with grooved drums.

REDUCTION RATIOS: The performance can be adapted for high pressure hydraulic systems.

HYDRAULIC MOTORS: Hydraulic piston motors can be adapted for high pressure hydraulic systems.

EXTERNAL BRAKE RELEASE: This option offers the facility of an independent brake release.

For further optional requirements contact the factory.

PERFORMANCE

Based on a hydraulic volume of 50 (US) gpm (189 l/min) at 2200 psi (152 bar) hydraulic pressure.

Drum rpm at maximum oil volume = 48 rpm in forward rotation and 208 rpm in reverse rotation.

Drum torque at a maximum pressure = 50000 lb- in (5649 Nm).

MODEL NUMBER	BARE DRUM			MEAN DRUM			FULL DRUM		
	LINE PULL	LINE SPEED		LINE PULL	LINE SPEED		LINE PULL	LINE SPEED	
		FORWARD	REVERSE		FORWARD	REVERSE		FORWARD	REVERSE
H12-3-97-1	12121 lb	104 fpm	449 fpm	9362 lb	140 fpm	606 fpm	7143 lb	176 fpm	762 fpm
	589 kN	32 m/min	137 m/min	42.8 kN	43 m/min	185 m/min	31.8 kN	54 m/min	232 m/min

The volumetric requirement for the **PULLMASTER** Model H12 winch are recommended maximums and should not be exceeded. When the **PULLMASTER** Model H12 is installed in existing hydraulic circuits with a lesser volume and/or lower pressure, the performance will change accordingly. Performance graphs for line speed vs. oil volume and line pull vs. hydraulic pressure are available upon request.

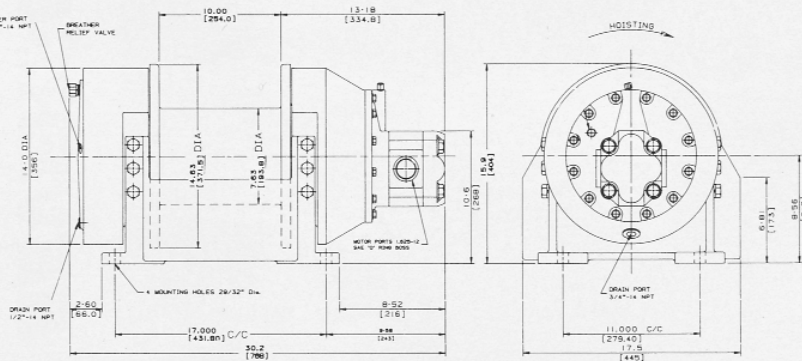
CABLE STORAGE

CABLE STORAGE CAPACITY FOR WIRE ROPE

MODEL NUMBER	DRUM SIZE			WIRE ROPE DIAMETERS								
	BARREL	FLANGE	LENGTH	1/8"	3/16"	1/4"	5/16"	3/8"	7/16"	1/2"	9/16"	5/8"
H12-3-97-1	7-5/8"	14-5/8"	10"	5103 ft	2333 ft	1280 ft	793 ft	569 ft	458 ft	307 ft	287 ft	222 ft
	194 mm	371 mm	254 mm	1555 m	711 m	390 m	242 m	173 m	140 m	94 m	87 m	68 m

The cable anchor of the **PULLMASTER** Model H12 planetary winch is not designed to hold the rated maximum load. The cable drum requires 3 - 4 loops of wire rope for security.

DIMENSIONS

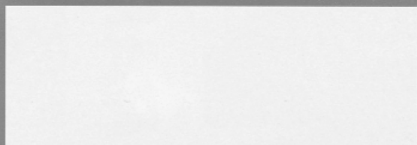


PULLMASTER planetary winches are covered by a liberal warranty. Parts and Repair Service are available from authorized **PULLMASTER** distributors throughout Canada, the United States and in most over-seas areas.

IMPORTANT

PULLMASTER planetary winches are neither designed nor intended for installation on equipment used in lifting or moving of personnel.

DISTRIBUTOR

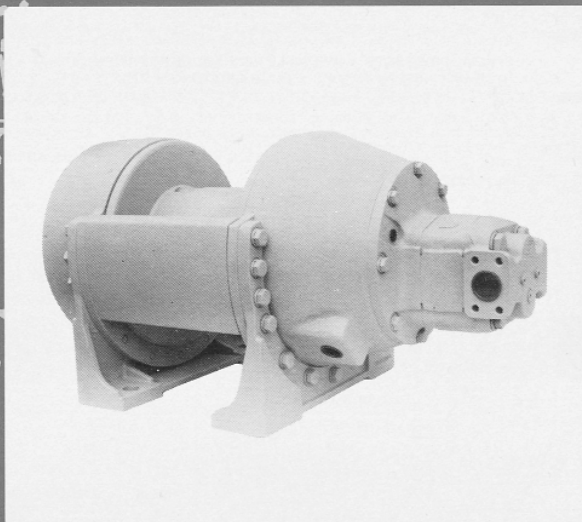


For more information write to:

PULLMASTER WINCH CORPORATION
 8247 - 130 STREET, SURREY, B.C. CANADA V3W 7X4
 TELEPHONE: (604) 594-4444 • FAX: (604) 591-7332
 http://www.pullmaster.com E-mail: info@pullmaster.com

H18

PLANETARY, HYDRAULIC WINCH



RAPID REVERSE

pull

MASTER

THE LOGICAL CHOICE

MODEL H18 PLANETARY HYDRAULIC WINCH

DESCRIPTION

The **PULLMASTER** Model H18 is a high performance, high efficiency planetary winch with a "Rapid Reverse" feature. The reversing or lowering line speed is 4.6 time faster than forward or hoisting speed. The automatic, multi-disc brake of this unit is effective in one direction only and achieves exceptionally smooth lowering control of a load. In reverse rotation (lowering), the maximum load can be positively controlled at line speed equal to the hoisting line speed. Only loads, reduced by a ratio of 4.6 of the maximum capacity of the winch can be safely lowered at the maximum reversing speed. The **PULLMASTER** Model H18 planetary winch is powered by a hydraulic gear motor and the required reduction ratio of 39.56:1 is established by two planetary reduction stages. In forward (hoisting) rotation, the hydraulic motor drives direct into the planetary reduction stages without affecting the brake assembly. When forward (hoisting) rotation is stopped, an over-running clutch, located between the brake assembly and the motor drive shaft, locks and the multi-disc brake will positively hold the maximum load with a safety factor of 3:1. The multi-disc brake is spring applied and pressure released, requiring no calibration for safe operation. When the hydraulic motor is powered for reverse rotation (lowering) the brake is released automatically and is then modulated for the desired lowering speed by a single control lever. A counter-balance valve or brake valve is not required for dynamic braking. All moving parts of the **PULLMASTER** Model H18 planetary winch are totally enclosed and run in an oil bath, assuring a long, trouble free service with minimum requirement for maintenance.

OPTIONS

- SPECIAL DRUM SIZES • HYDRAULICALLY ACTUATED FREE SPOOLING • RATCHET & PAWL • EXTERNAL BRAKE RELEASE
- HYDRAULIC PISTON MOTORS • DRUM GROOVING • ETC.

PERFORMANCE

The performance of the **Pullmaster** Model H18 is based on a hydraulic volume of 76 (US) gpm (288 l/min) at 2300 psi (159 bar) hydraulic pressure. Drum revolutions at maximum hydraulic volume = 50.5 rpm. Drum torque at a maximum hydraulic pressure = 83,250 lb-in (9406 Nm).

MODEL NUMBER	BARE DRUM			MEAN DRUM			FULL DRUM		
	LINE PULL	LINE SPEED		LINE PULL	LINE SPEED		LINE PULL	LINE SPEED	
		FORWARD	REVERSE		FORWARD	REVERSE		FORWARD	REVERSE
H18-3-101-1 based on 3/4" wire rope	18000 lb 80.0 kN	122 fpm 37 m/min	563 fpm 171 m/min	14644 lb 65.1 kN	159 fpm 48 m/min	730 fpm 222 m/min	11288 lb 50.2 kN	195 fpm 59 m/min	897 fpm 273 m/min
H18-3-101-2 based on 3/4" wire rope	12109 lb 53.9 kN	182 fpm 55 m/min	836 fpm 255 m/min	10379 lb 46.2 kN	218 fpm 66 m/min	1003 fpm 306 m/min	8649 lb 38.5 kN	255 fpm 78 m/min	1171 fpm 357 m/min

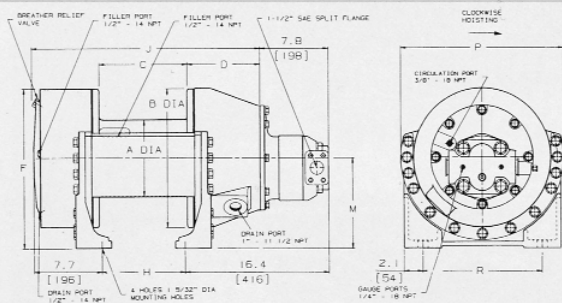
The volumetric requirement for the **PULLMASTER** Model H18 is the recommended maximum and should not be exceeded. When the **PULLMASTER** Model H18 is installed in existing hydraulic circuits with a lesser operating volume or lower pressure, the performance will change. Performance graphs for line speed vs. oil volume and line pull vs. hydraulic pressure are available upon request.

CABLE STORAGE

MODEL NUMBER	DRUM SIZE			WIRE ROPE DIAMETERS						
	DRUM	FLANGE	LENGTH	3/8"	7/16"	1/2"	9/16"	5/8"	3/4"	7/8"
H18-3-101-1	8.5"	15.5"	10"	615 ft	494 ft	332 ft	310 ft	239 ft	170 ft	113 ft
	216 mm	394 mm	254 mm	187 m	151 m	101 m	94 m	73 m	52 m	34 m
H18-3-101-2	13"	20"	16"	1359 ft	1088 ft	738 ft	681 ft	526 ft	375 ft	251 ft
	330 mm	508 mm	406 mm	414 m	332 m	225 m	208 m	161 m	114 m	76 m

DIMENSIONS

Other drum sizes will be made available for quantity requirements.



MODEL NUMBER	A	B	C	D	F	H	J	M	P	R
H18-3-101-1	8.5"	15.5"	10"	8.3"	17.9"	9.43"	25.9"	10.13"	18.4"	13.5"
	216 mm	394 mm	254 mm	211 mm	455 mm	239.5 mm	659 mm	257 mm	467 mm	342.9 mm
H18-3-101-2	13"	20"	16"	8.4"	18.5"	18.5"	32.1"	12.38"	23.3"	17.25"
	330 mm	508 mm	406 mm	213 mm	470 mm	470 mm	816 mm	314 mm	591 mm	438.2 mm

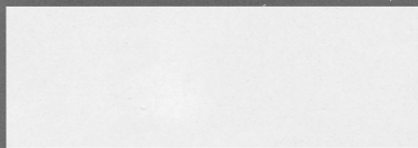
PULLMASTER planetary winches are covered by a liberal warranty. Parts and Repair Service are available from authorized **PULLMASTER** distributors throughout Canada, the United States and in most over-seas areas.

IMPORTANT

PULLMASTER planetary winches are neither designed nor intended for installation on equipment used in lifting or moving of personnel.

Other **PULLMASTER** winch models are available in capacities ranging from 1000 lb to 50,000 lb (4.4 kN to 222.4 kN) line pull.

DISTRIBUTOR

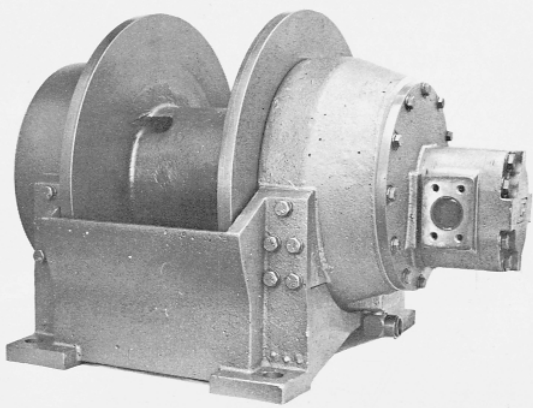


For more information write to:

PULLMASTER WINCH CORPORATION
 8247 - 130 STREET, SURREY, B.C. CANADA V3W 7X4
 TELEPHONE: (604) 594-4444 • FAX: (604) 591-7332
<http://www.pullmaster.com> E-mail: info@pullmaster.com

H25

PLANETARY, HYDRAULIC WINCH



RAPID REVERSE



MASTER

THE LOGICAL ALTERNATIVE

MODEL H25 PLANETARY HYDRAULIC WINCH

DESCRIPTION

The **PULLMASTER** Model H25 is a high performance, high efficiency, planetary winch with a "Rapid Reverse" feature which provides for reversing or lowering line speeds 4.67 times faster than forward or hoisting line speeds. The automatic, multi disc brake of this unit is effective in one direction only and achieves exceptionally smooth lowering of a load. The maximum load can be smoothly and positively controlled at a minimum line speed of 40 f.p.m. (bare drum) and should not be lowered with speeds exceeding the forward or hoisting line speed. Only loads, reduced by a ratio of 4.67 of the maximum capacity of the winch, can be safely lowered at maximum reversing speed.

The **PULLMASTER** Model H25 winch is powered by a hydraulic Gear Motor and the required reduction ratio of 40.8:1 is established by two planetary stages. The hydraulic motor drives direct into the planetary reductions. When the forward hoisting rotation is stopped an over-running clutch, installed between the brake assembly and the motor drive shaft, will lock and the multi-disc brake applies automatically. The multi-disc brake is spring applied and pressure released and has static and dynamic function. When the hydraulic motor is powered for reverse or lowering the brake is released automatically and the primary reduction stage is locked out, resulting in the faster reversing or lowering speed. The speed is controlled by modulation of a single control lever. A counter-balance valve is not required for dynamic braking. All moving parts of the **PULLMASTER** Model H25 planetary hydraulic winch are totally enclosed and run in an oil bath, assuring a long, trouble free service with a minimum requirement for maintenance.

OPTIONS

- Special Drum Size • Free Spooling • Drum Grooving • Ratchet & Pawl • Hydraulic Piston Motor • Controlled Free Fall • Emergency Free Fall • External Brake Release
- For other optional requirements contact the factory

PERFORMANCE

Based on a hydraulic volume of 115 (U.S.) G.P.M. (435 l/min) at 2500 P.S.I. (176 kg/cm²) hydraulic pressure.
 Drum revolutions at maximum volume = 49 R.P.M. in forward rotation and 229 R.P.M. in reverse rotation.
 Drum Torque at maximum pressure = 135,937 lb. in. (1566.7 kpm)

MODEL NUMBER	BARE DRUM			MEAN DRUM			FULL DRUM		
	LINE PULL	LINE SPEED		LINE PULL	LINE SPEED		LINE PULL	LINE SPEED	
		FORWARD	REVERSE		FORWARD	REVERSE		FORWARD	REVERSE
H25-7-86-1	25000 lb	139 fpm	649 fpm	20678 lb	169 fpm	786 fpm	17626 lb	198 fpm	924 fpm
	11340 kp	42 m/min	189 m/min	9379 kp	52 m/min	240 m/min	7995 kp	60 m/min	282 m/min
H25-7-86-2	25000 lb	139 fpm	649 fpm	16049 lb	218 fpm	1018 fpm	11818 lb	295 fpm	1377 fpm
	11340 kp	42 m/min	189 m/min	7280 kp	66 m/min	308 m/min	5361 kp	90 m/min	420 m/min
H25-7-86-3	25000 lb	139 fpm	649 fpm	16049 lb	218 fpm	1018 fpm	11818 lb	295 fpm	1377 fpm
	11340 kp	42 m/min	189 m/min	7280 kp	66 m/min	308 m/min	5361 kp	90 m/min	420 m/min
H25-7-86-4	25000 lb	139 fpm	649 fpm	16049 lb	218 fpm	1018 fpm	11818 lb	295 fpm	1377 fpm
	11340 kp	42 m/min	189 m/min	7280 kp	66 m/min	308 m/min	5361 kp	90 m/min	420 m/min

The volumetric requirement for the **PULLMASTER** Model H25 planetary winch are recommended maximums and should not be exceeded. When the **PULLMASTER** Model H25 planetary winch is installed in existing hydraulic circuits with a lesser volume and/or lower pressure, the performance will change accordingly. Performance graphs for line speed vs. oil volume and line pull vs. pressure are available on request.

CABLE STORAGE

CABLE STORAGE CAPACITY FOR WIRE ROPE

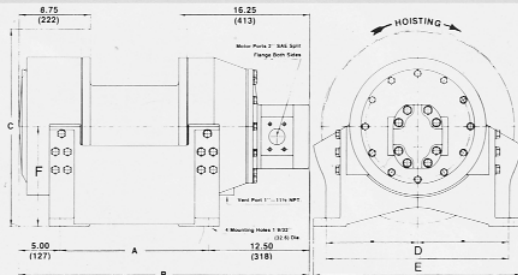
MODEL NUMBER	DRUM SIZE			WIRE ROPE DIAMETER							
	BARREL	FLANGE	LENGTH	1/2"	9/16"	5/8"	3/4"	7/8"	1"	1 1/8"	1 1/4"
H25-7-86-1	10"	17"	11"	486 ft	384 ft	296 ft	210 ft	140 ft	129 ft	84 ft	79 ft
	254 mm	432 mm	279 mm	117 m	117 m	90 m	64 m	43 m	39 m	26 m	24 m
H25-7-86-2	10"	24"	11"	1209 ft	952 ft	728 ft	516 ft	403 ft	313 ft	250 ft	186 ft
	254 mm	610 mm	279 mm	369 m	290 m	222 m	157 m	123 m	95 m	76 m	57 m
H25-7-86-3	10"	24"	17"	1869 ft	1471 ft	1125 ft	796 ft	623 ft	484 ft	386 ft	287 ft
	254 mm	610 mm	432 mm	569 m	448 m	343 m	243 m	190 m	148 m	118 m	87 m
H25-7-86-4	10"	24"	22"	2419 ft	2076 ft	1456 ft	1032 ft	806 ft	626 ft	500 ft	370 ft
	254 mm	610 mm	559 mm	737 m	632 m	444 m	314 m	246 m	191 m	152 m	113 m

The cable anchor of the **PULLMASTER** Model H25 planetary winch is not designed to hold the maximum rated load. The cable drum requires 4-6 wraps of wire rope for security.

DIMENSIONS

MODEL NO.	DIM. A	DIM. B	DIM. C
H25-7-86-1	18.50"	36"	19.88"
	470 mm	914 mm	505 mm
H25-7-86-2	18.50"	36"	24.38"
	470 mm	914 mm	619 mm
H25-7-86-3	24.50"	42"	24.38"
	622 mm	1067 mm	619 mm
H25-7-86-4	29.50"	42"	24.38"
	749 mm	1194 mm	619 mm

MODEL NO.	DIM. D	DIM. E	DIM. F
H25-7-86-1	17.75"	20.75"	11.38"
	451 mm	527 mm	289 mm
H25-7-86-2	22.88"	25.88"	12.38"
	581 mm	657 mm	314 mm
H25-7-86-3	22.88"	25.88"	12.38"
	581 mm	657 mm	314 mm
H25-7-86-4	22.88"	25.88"	12.38"
	581 mm	657 mm	314 mm



PULLMASTER planetary winches are covered by a liberal warranty. Parts and Repair service are available from authorized **PULLMASTER** distributors throughout Canada, the United States and in most overseas areas.

IMPORTANT:

PULLMASTER planetary winches are neither designed nor intended for installation on equipment used in lifting or moving of personnel.

Other Models of **PULLMASTER** Planetary winches are available for different lifting capacities and also with equal speed in both directions.

DISTRIBUTOR

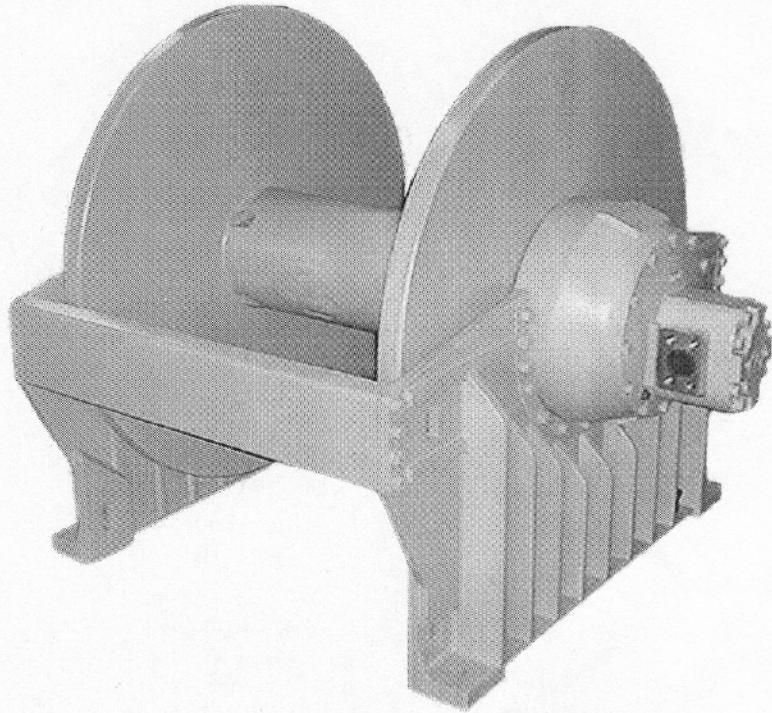
For more information write to:

PULLMASTER WINCH CORPORATION
 8247 - 130 STREET, SURREY, B.C. CANADA V3W 7X4
 TELEPHONE: (604) 594-4444 TELEX: 04-54436
 FAX NO. (604) 591-7332

H30

PHULL

MASTER



H30-7-86-51 HYDRAULIC PLANETARY WINCH
H30-7-86-52 HYDRAULIC PLANETARY WINCH

THE LOGICAL CHOICE

STATE • OF • THE • ART • HYDRAULIC • WINCHES

H30-7-86-51/52 HYDRAULIC PLANETARY WINCH

The -51 & -52 drums were developed for fishermen with a need for more cable storage than that provided by standard Model H25 winch drums. The model H30 is a high performance, high efficiency planetary winch with a Rapid Reverse feature that provides for reverse or lowering speeds 4.67 times faster than forward or hoisting line speeds. The automatic, multi-disc brake of this unit is effective in one direction only and achieves an exceptionally smooth lowering control of a load in a stepless operation. Only loads reduced by a factor of 4.6 of the maximum capacity of the winch can be safely lowered at maximum reversing speed.

The PULLMASTER Model H30 planetary winch is powered by a hydraulic gear motor and the required gear ratio of 40.8:1 is established by two planetary stages. The hydraulic motor drives into the planetary reductions. When forward rotation is stopped an over-running clutch between the brake assembly and the motor drive will lock and the multi-disc brake will safely hold the maximum load. The multi-disc brake is spring applied and pressure-released. When the hydraulic motor is powered for reverse or lowering, the brake is released automatically and is then modulated for the desired lowering speed by a single control lever. A counter-balance valve is not required for dynamic braking. All moving parts of the PULLMASTER Model H30 planetary hydraulic winch are totally enclosed and run in an oil bath, assuring long, trouble-free service with a minimum requirement for maintenance.

CABLE STORAGE CAPACITY AND PERFORMANCE

Based on maximum hydraulic flow of 115 US gpm and maximum pressure of 2500 psi using 7/8" wire rope

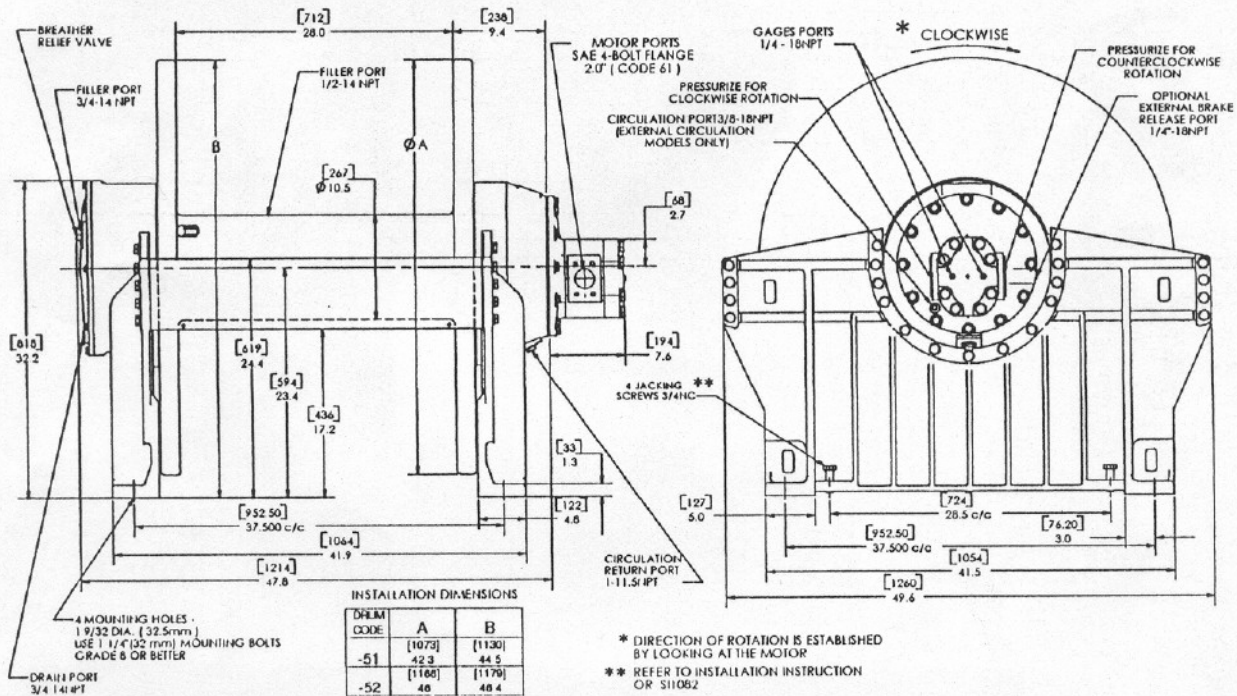
MODEL NUMBER	BARE DRUM			MEAN DRUM			FULL DRUM		
	LINE PULL	LINE SPEED		LINE PULL	LINE SPEED		LINE PULL	LINE SPEED	
		FORWARD	REVERSE		FORWARD	REVERSE		FORWARD	REVERSE
H30-7-86-51	25,000 lb	146 fpm	681 fpm	15,884 lb	330 fpm	1543 fpm	6,768 lb	515 fpm	2,405 fpm
H30-7-86-52	25,000 lb	146 fpm	681 fpm	15,540 lb	360 fpm	1679 fpm	6,080 lb	574 fpm	2,677 fpm

MODEL NUMBER	DRUM SIZE			WIRE ROPE DIAMETER			
	Barrel Dia.	Flange Dia.	Length	5/8"	3/4"	7/8"	1"
H30-7-86-51	10.5"	42.3"	28.0"	7,049 ft	4,924 ft	3,395 ft	2,759 ft
H30-7-86-52	10.5"	46.0"	28.0"	8,254 ft	5,947 ft	4,244 ft	3,265 ft

H30-7-86-51/52 WINCH INSTALLATION DIMENSIONS

DIMENSIONS ARE IN INCHES (MILLIMETERS)

FOR SAFETY: A MINIMUM OF 3 TO 4 WRAPS OF WIRE ROPE MUST BE MAINTAINED AT ALL TIMES!



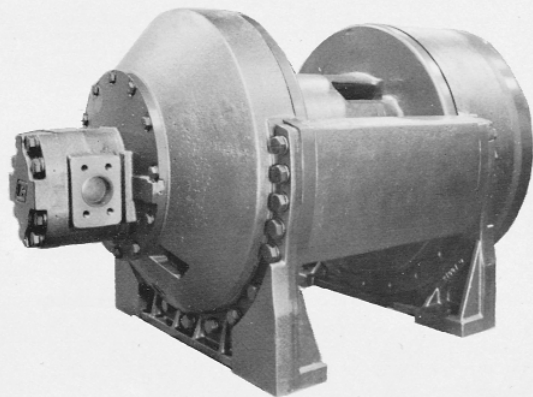
DISTRIBUTOR



PULLMASTER WINCH CORPORATION
 8247 - 130th Street, SURREY, B.C. CANADA V3W 7X4
 Telephone: (604) 594-4444 • Fax: (604) 591-7332
 http://www.pullmaster.com • E-mail: info@pullmaster.com

H50

PLANETARY, HYDRAULIC WINCH



 pull

MASTER

THE LOGICAL CHOICE

RAPID REVERSE

MODEL H50 PLANETARY HYDRAULIC WINCH

DESCRIPTION

The **PULLMASTER** Model H50 is a high performance, high efficiency planetary winch with a "Rapid Reverse" feature. The reversing or lowering line speed is 4.67 times faster than forward or hoisting speed. The automatic, multi-disc brake of this unit is effective in one direction only and achieves exceptionally smooth lowering of a load. In reverse rotation (lowering) the maximum load can be positively controlled at a line speed equal to the hoisting line speed. Only loads, reduced by a ratio of 4.67 of the maximum capacity of the winch, can be safely lowered at a maximum reversing speed. The **PULLMASTER** Model H50 planetary winch is powered by a hydraulic gear motor and the required reduction ratio of 116:1 is established by three planetary reduction stages. In forward rotation (hoisting) the hydraulic motor drives direct into the planetary reductions without affecting the brake assembly. When forward rotation is stopped, an over-running clutch, between the brake assembly and the motor drive shaft will lock and the multi-disc brake will positively hold the maximum load with a safety factor of 3:1. The multi-disc brake is spring applied and pressure released, requiring no calibration for fail safe operation. When the hydraulic motor is powered for reverse rotation (lowering) the brake is released automatically and is then modulated for the desired lowering speed by a single control lever. During reverse rotation the primary planet reduction is locked out, resulting in the fast reversing speed. A counter-balance valve or brake valve is not required for dynamic braking. All moving parts of the **PULLMASTER** Model H50 planetary winch are totally enclosed and run in an oil bath, assuring a long, trouble free service with minimum requirement for maintenance.

OPTIONS

- SPECIAL DRUM SIZE • FREE SPOOLING • EXTERNAL BRAKE RELEASE • HYDRAULIC PISTON MOTORS • DRUM GROOVING

PERFORMANCE

Based on a hydraulic volume of 115 (US) gpm (435 l/min) at 2500 psi (172 bar) hydraulic pressure. Drum revolutions at maximum oil volume = 17.4 rpm in forward rotation and 81.2 rpm in reverse rotation. Drum torque at a maximum hydraulic pressure = 381250 lb-in (43075 Nm).

MODEL NUMBER	BARE DRUM			MEAN DRUM			FULL DRUM		
	LINE PULL	LINE SPEED		LINE PULL	LINE SPEED		LINE PULL	LINE SPEED	
		FORWARD	REVERSE		FORWARD	REVERSE		FORWARD	REVERSE
H50-7-86-1	50000 lb	69 fpm	324 fpm	41944 lb	86 fpm	401 fpm	33889 lb	102 fpm	478 fpm
	222.4 kN	21 m/min	99 m/min	186.6 kN	26 m/min	122 m/min	150.7 kN	31 m/min	146 m/min
H50-7-86-2	39610 lb	88 fpm	409 fpm	33066 lb	109 fpm	510 fpm	26522 lb	131 fpm	611 fpm
	176.2 kN	27 m/min	125 m/min	147.1 kN	33 m/min	156 m/min	118.0 kN	40 m/min	186 m/min

The volumetric requirement for the **PULLMASTER** Model H50 is the recommended maximum and should not be exceeded. When the **PULLMASTER** Model H50 is installed in existing hydraulic circuits with a lesser volume or lower pressure, the performance will change. Performance graphs for line speed vs. oil volume and line pull vs. hydraulic pressure are available upon request.

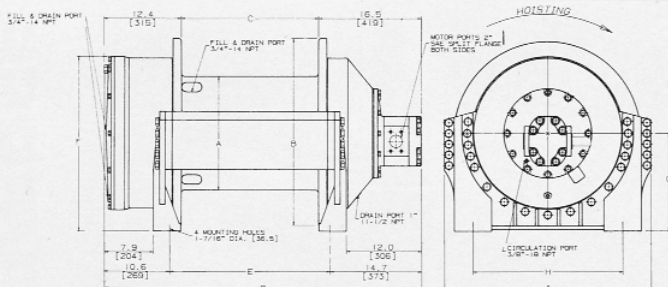
CABLE STORAGE

DRUM CABLE STORAGE CAPACITY FOR WIRE ROPE

MODEL NUMBER	DRUM SIZE			WIRE ROPE DIAMETER						
	BARREL	FLANGE	LENGTH	9/16"	5/8"	3/4"	7/8"	1"	1 1/8"	1 1/4"
H50-7-86-1	14"	23.75"	14"	854 ft	691 ft	519 ft	375 ft	276 ft	195 ft	177 ft
	356 mm	603 mm	356 mm	260 m	211 m	158 m	114 m	84 m	59 m	54 m
H50-7-86-2	18"	30"	22"	2309 ft	1725 ft	1341 ft	860 ft	654 ft	605 ft	440 ft
	457 mm	762 mm	559 mm	704 m	526 m	409 m	262 m	199 m	184 m	134 m

Contact the factory for cable drums with larger storage capacity.

DIMENSIONS



MODEL NUMBER	A	B	C	D	E	F	G	H	I
H50-7-86-1	14"	23.75"	14"	42.87"	17.63"	26.75"	14.63"	21"	27.50"
	356 mm	603 mm	356 mm	1089 mm	448 mm	680 mm	372 mm	533 mm	699 mm
H50-7-86-2	18"	30"	22"	50.78"	25.63"	30.5"	15.5"	24"	33.13"
	457 mm	762 mm	559 mm	1290 mm	651 mm	775 mm	394 mm	610 mm	841 mm

PULLMASTER planetary winches are covered by a liberal warranty. Parts and Repair Service are available from authorized **PULLMASTER** distributors throughout Canada, the United States and in most over-seas areas.

IMPORTANT

PULLMASTER planetary winches are neither designed nor intended for installation on equipment used in lifting or moving of personnel.

Other **PULLMASTER** winch models are available in capacities ranging from 1000 lb to 50,000 lb (4.4 kN to 222.4 kN) line pull.

DISTRIBUTOR



For more information write to:

PULLMASTER WINCH CORPORATION
 8247 - 130 STREET, SURREY, B.C. CANADA V3W 7X4
 TELEPHONE: (604) 594-4444 • FAX: (604) 591-7332
 http://www.pullmaster.com E-mail: info@pullmaster.com